
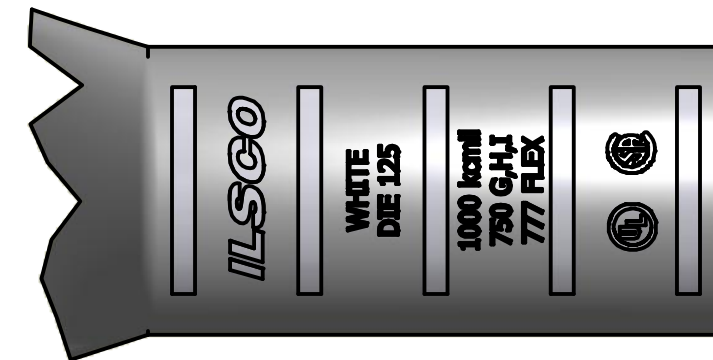
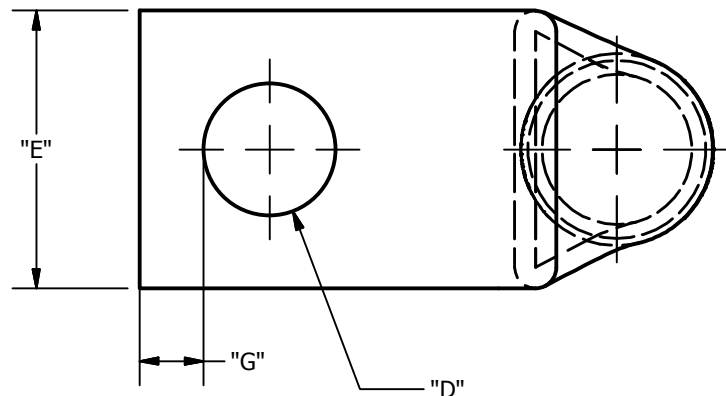
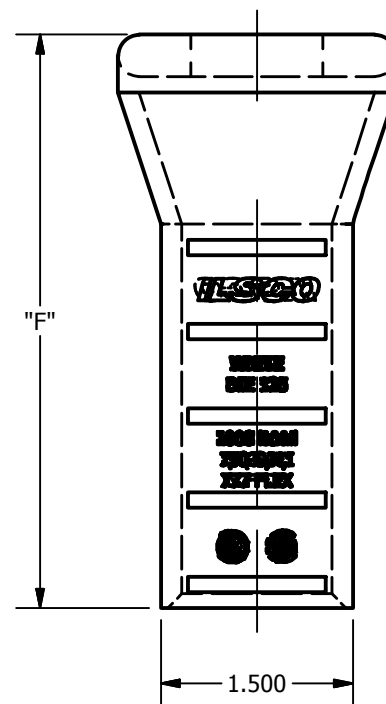
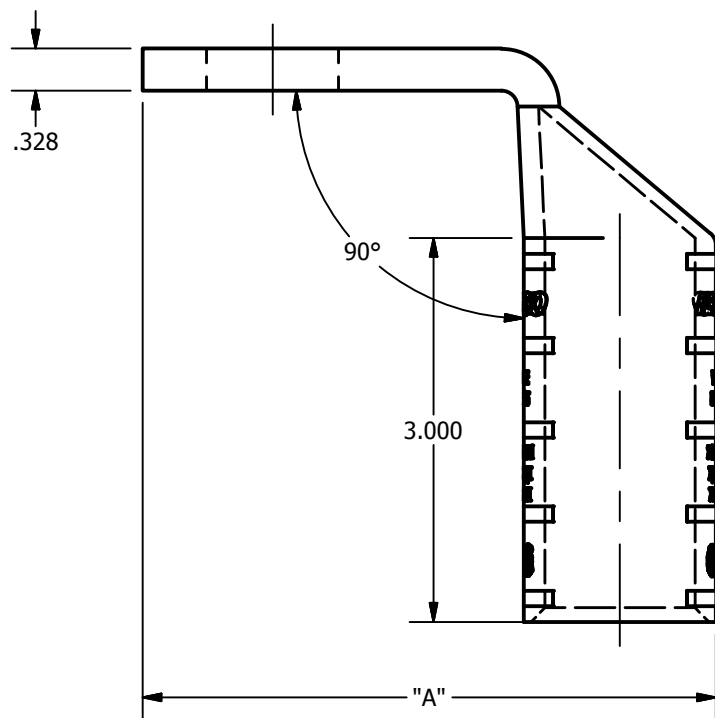


SCREW: NONE	MATERIAL: COPPER	REV: F	 800-776-9775 www.ilSCO.com
CAT. NO.: SEE CHART	PLATING: EL-TIN	DRAWN BY:DW SCALE: NTS	
INFORMATION SHEET:FORM 157	MARKING: SEE CHART	DATE:6/3/2008 SIZE: B	
			DWG NO: Y2103-S-9
			SHEET: 1 OF 1



DETAIL E
INK MARK TOP & BOTTOM



CATALOG NUMBER	"A"	"D"	"E"	"F"	"G"	TANG MARKING
CLNB-1000-12-9	2.993	0.562	2.169	4.785	0.265	UL, ILSCO, CSA, CLNB-1000-12-9, 1/2, 1000 kcmil, 750 GHI / 777 FLEX, DIE 125
CLNB-1000-58-9	3.180	0.656	2.169	4.785	0.343	UL, ILSCO, CSA, CLNB-1000-58-9, 5/8, 1000 kcmil, 750/777 FLEX, DIE 125
CLNB-1000-34-9	3.430	0.781	2.169	4.785	0.359	UL, ILSCO, CSA, CLNB-1000-34-9, 3/4, 1000 kcmil, 750/777 FLEX, DIE 125
CLNB-1000-78-9	3.680	0.906	2.169	4.785	0.437	UL, ILSCO, CSA, CLNB-1000-78-9, 7/8, 1000 kcmil, 750/777 FLEX, DIE 125
CLNB-1000-38-9	2.868	0.406	2.169	4.785	0.211	UL, ILSCO, CSA, CLNB-1000-38-9, 3/8, 1000 kcmil, 750/777 FLEX, DIE 125
CLNB-1000-1-9	3.868	1.031	2.169	4.785	0.500	UL, ILSCO, CSA, CLNB-1000-1-9, 1, 1000 kcmil, 750/777 FLEX, DIE 125